



new print-head, high image quality with smooth gradation

High Image Quality

By installing newly developed heat control IC (DPPS1) and brand-new print-head, high image quality with smooth gradation reproduction has been realized even during high speed printing.



High Speed Printing

- Postcard size: **8.9**seconds/per print
- Postcard size (when 4 printers connected): **2.2**seconds/per print

Space-saving Compact Body, Front Opening & Loading

The exterior dimensions are the same for both DS40 & DS80. The height is only half of previously available models. With combined stacking, multi format printing will be realized in limited store space.

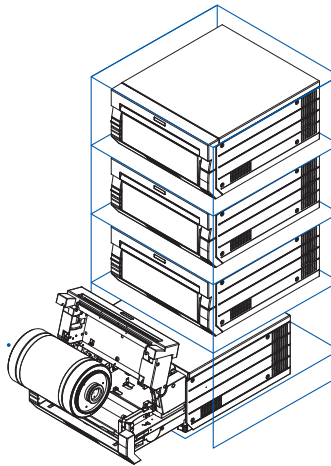
Flexible Extension

Example of a system using DS40 and DS80.
Truly free printer combination is possible.

► Super-high-speed printing

Space-saving flat body allows multiple stacking.
A compact system can be offered to the store where high throughput is a requirement.

Easy-to-use front opening & loading mechanism. Maintenance such as media exchange is simple and easy.



► Multi format

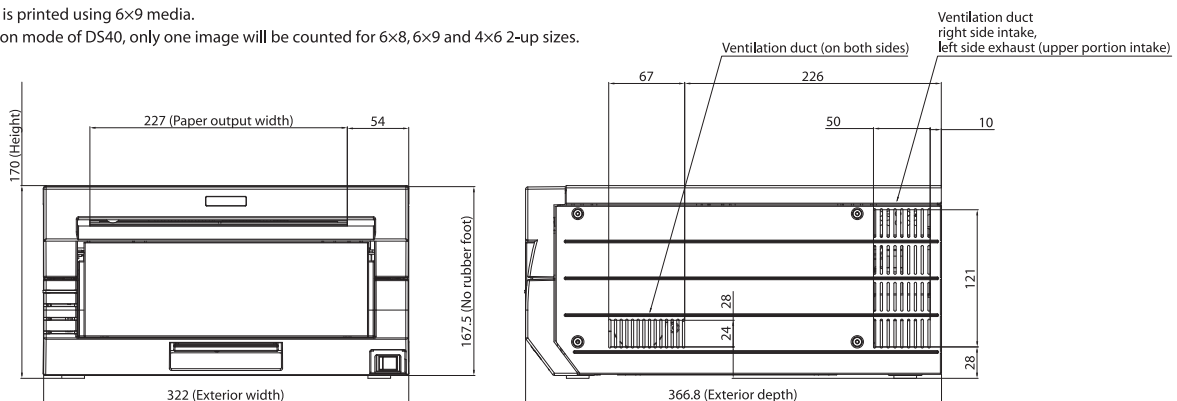
Combination of DS40 and DS80 will produce various print sizes. By installing the same exterior size printers, we offer wider selection to the store.

Specifications

Model	DS40		DS80		
Print method	Dye sublimation thermal transfer method		Dye sublimation thermal transfer method		
Print mode	High-speed mode High-resolution mode		High-speed mode High-resolution mode		
Resolution	300×300dpi 300×600dpi		300×300dpi 300×600dpi		
Print size	L PC 2L A5 A5 wide	3.5×5 4×6 5×7 6×8 6×9	89×127mm 101×152mm 127×178mm 152×203mm 152×229mm	8×4 8×5 8×6 8×8 8×10 8×12	203×102mm 203×127mm 203×152mm 203×203mm 203×254mm 203×305mm (203×297mm also possible)
Print capacity	L PC 2L A5 wide	3.5×5 4×6 5×7 6×9	400 images 400 images 230 images 180 images	8×12	110 images
Print speed	L PC PC 2-up (*1) 2L A5 A5 wide	3.5×5 4×6 4×6 2-up(*1) 5×7 6×8 6×9	8.4 sec/images 10.8 sec/images 8.9 sec/images 11.7 sec/images 7.5 sec/images 10.2 sec/images 12.8 sec/images 17.4 sec/images 13.9 sec/images 19.3 sec/images 16.4 sec/images 22.4 sec/images	8×12	35.2sec/images 46.2sec/images
Ribbon finish	YMC + overcoat		YMC + overcoat		
Interface	USB 2.0 (Maximum 480Mbps)		USB 2.0 (Maximum 480Mbps)		
Buffer size	For two images (*2)		For two images		
Driver	Windows®2000 / Windows®XP Windows vista®(32/64bit) / Windows®7(32/64bit)		Windows®2000 / Windows®XP Windows vista®(32/64bit) / Windows®7(32/64bit)		
External dimensions	322W×366D×170H		322W×366D×170H		
Weight (Excluding accessories and media)	Approx. 14Kg		Approx. 14Kg		
Power supply	AC100V~240V 50/60 Hz		AC100V~240V 50/60 Hz		
Power consumption (when printing)	100V 3.96A 240V 1.69A		100V 3.96A 240V 1.69A		
Accessories	Power supply cord		Power supply cord		
Options	Paper tray (3.5×5 and 4×6) Paper spacer (3.5×5 or 4×6)				

*1 When two 4×6 size is printed using 6×9 media.

*2 In the high-resolution mode of DS40, only one image will be counted for 6×8, 6×9 and 4×6 2-up sizes.



* The specifications, software version and cosmetic design shown in this catalog are subject to change without prior notice.

* The version and the function of attached software to the printer are subject to change without prior notice.

Dai Nippon Printing Co., Ltd.

Imaging Communications Operations

1-14-1, Ichigaya-Tamachi, Shinjuku-ku, Tokyo 162-8001, Japan

You may not publish or reproduce this document wholly or in any part in any from whatsoever without our authorization. The information contained here is accurate as of June 2011. It may be changed without prior notice.